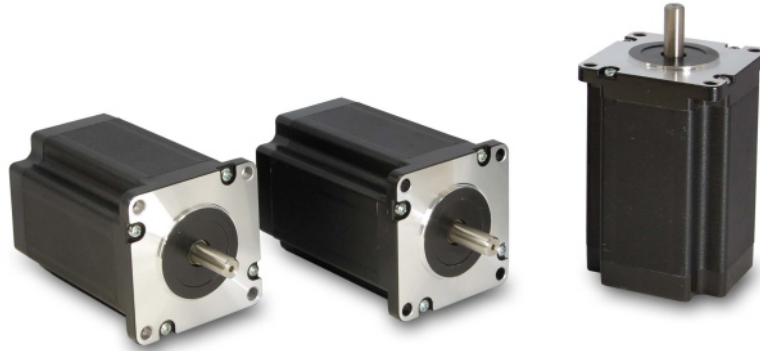


Nema 24

2 phase 1.8° step angle
 hybrid stepping motor

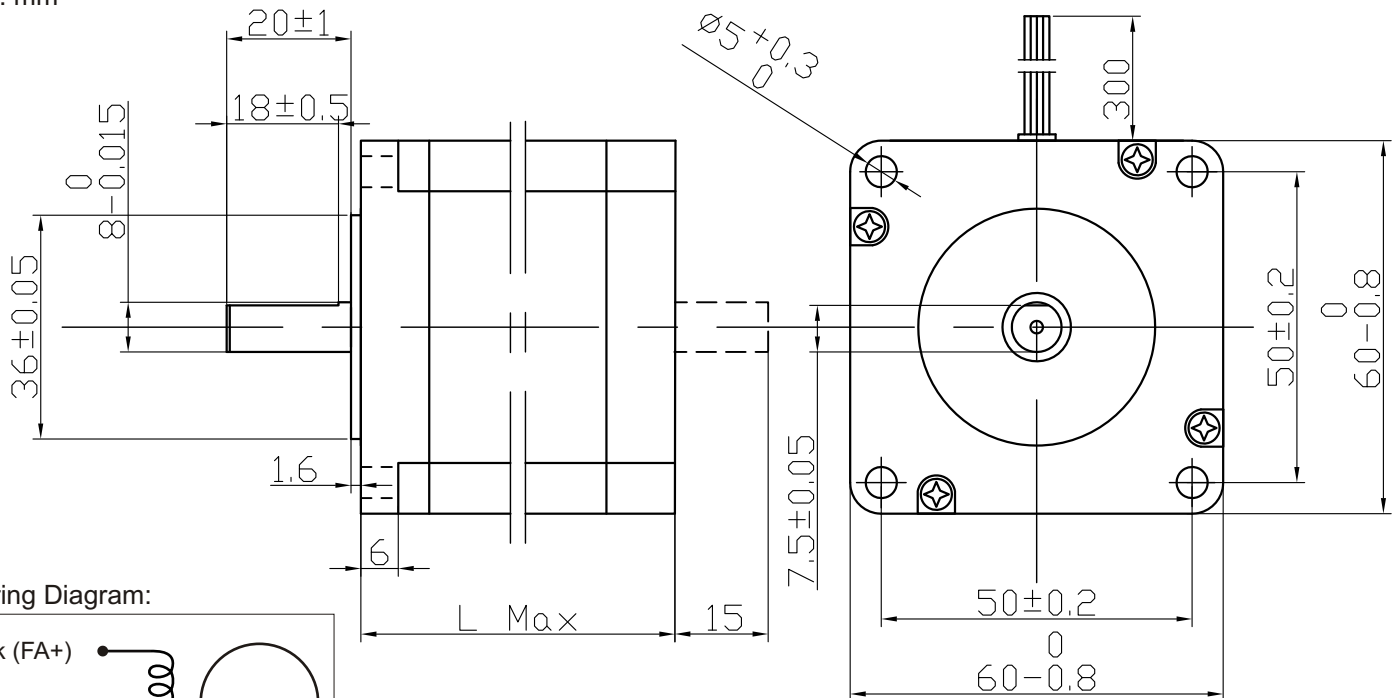


Specifications:

Model	Holding Torque (Nm)	Phase current (A)	Rotor Inertia (g/cm ²)	Motor Length L max (mm)	Detent Torque (Nm)	Phase Resistance (ohm)	Phase Inductance (mH)	Lead Wire (No)	Motor Weight (Kg)	Note
M1243042	3.20	4.2	800	89	0.12	0.7	3.0	4	1.4	
M1243044	3.20	6.0	800	89	0.12	0.4	1.45	4	1.4	

Double shaft and custom windings available

Mechanical Dimensions:
 Unit: mm



Wiring Diagram:

